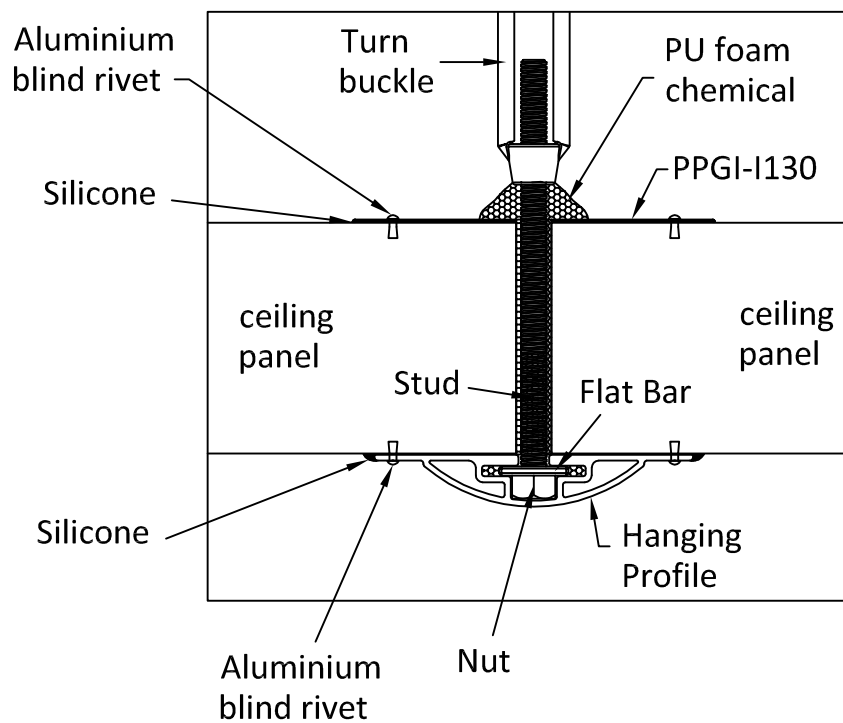
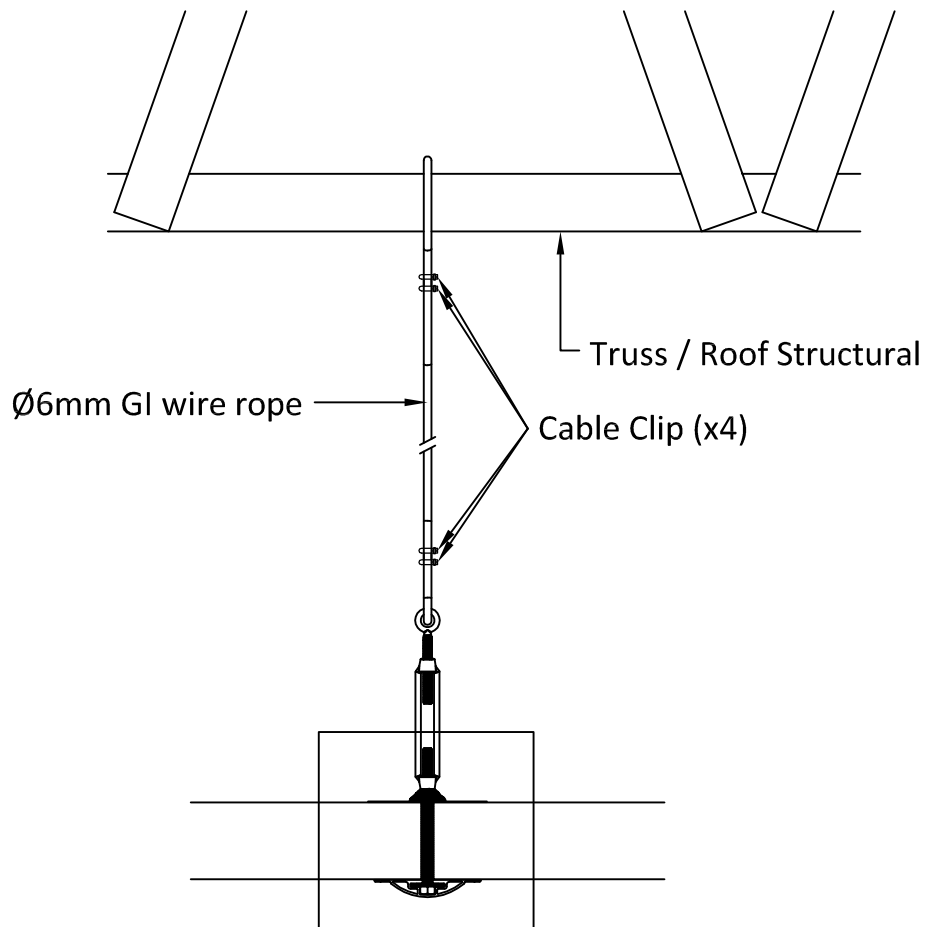


Hanging Profile Detail-(1)



REMARKS :	REV	REMARKS

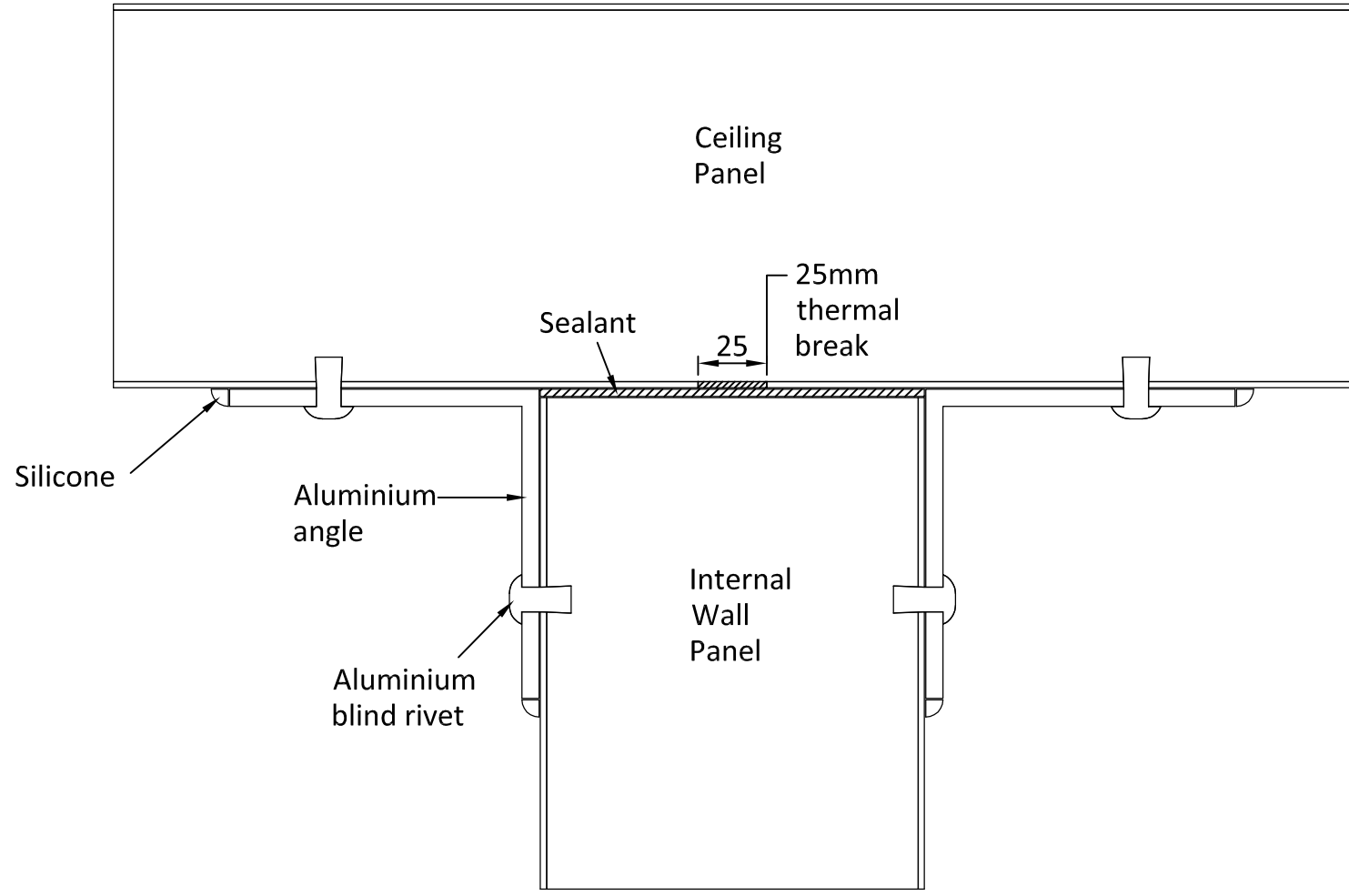
CLIENT:	NAME	SIGNATURE	DATE
DRAWN	P.C.ANG		
CHK'D	P.C.ANG		
APPV'D	K.Y.HUANG		

TITLE:	Hanging Profile Detail-(1)
--------	----------------------------

This design, typical detail and print is the property of CS Panel Sdn. Bhd. and must not be used reproduced or copied, wholly or in part without written permission from company all right reserved.		
DWG NO.	CS-TD-002	A4
JOB NO.	CS/TD/002	
SCALE:	NTS	DATE: 17 January 2019
		SHEET: 1 of 1

Y:\Project\ [CS Panel-Typical Detail]\AutoCAD File\CS-TD-012

Connection Internal Wall & Ceiling Panel



REMARKS :

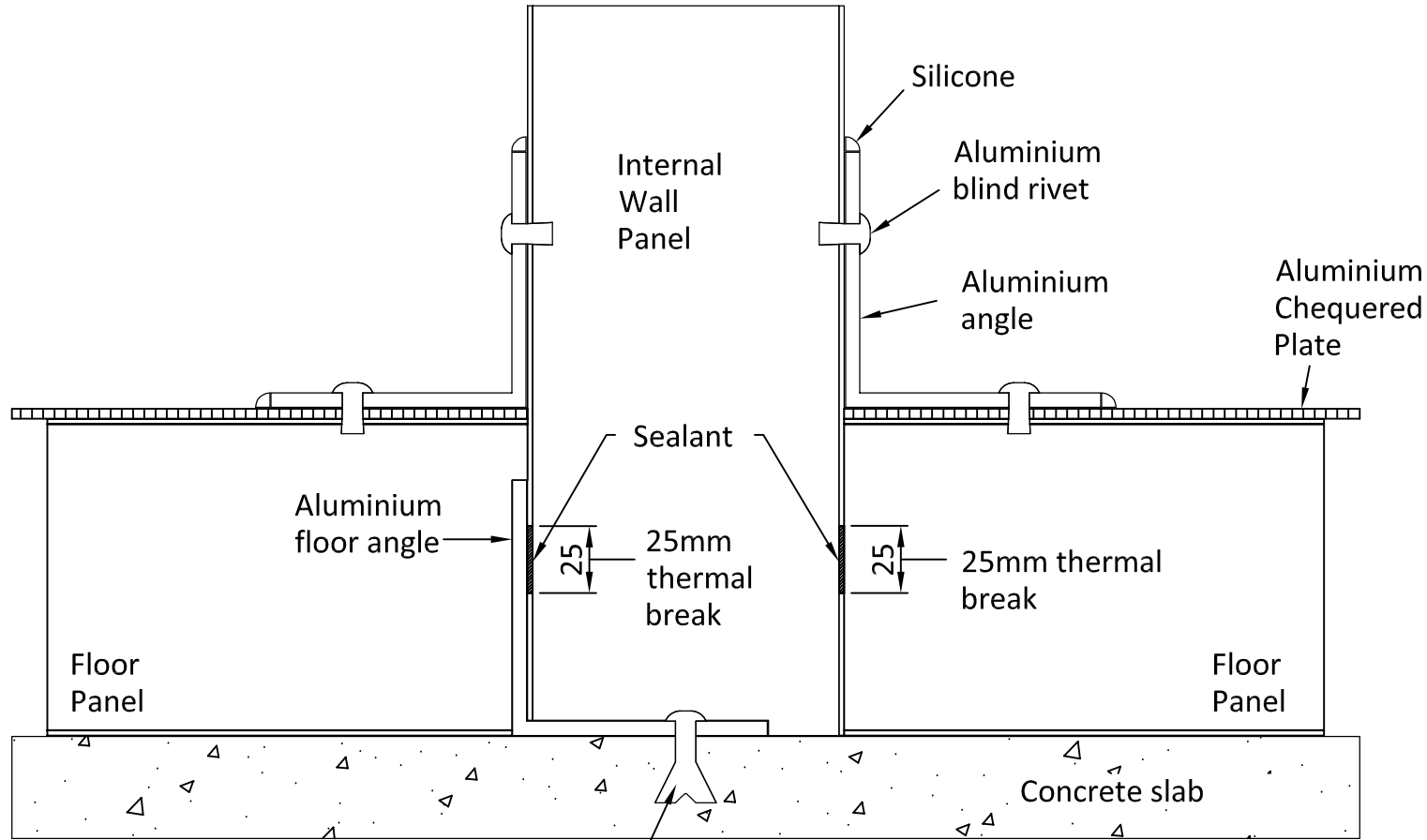
REV	REMARKS

CLIENT:			
NAME	SIGNATURE	DATE	

TITLE:	
Connection Internal Wall & Ceiling Panel	

This design, typical detail and print is the property of CS Panel Sdn. Bhd. and must not be used reproduced or copied, wholly or in part without written permission from company all right reserved.		
DWG NO.	CS-TD-012	A4
JOB NO:	CS/TD/012	
SCALE: NTS	DATE: 19 May 2017	SHEET: 1 of 1

Connection Internal Wall & Floor Panel



M6x42 Speed anchor @600mm to be fix on floor angle



REMARKS :

REV	REMARKS

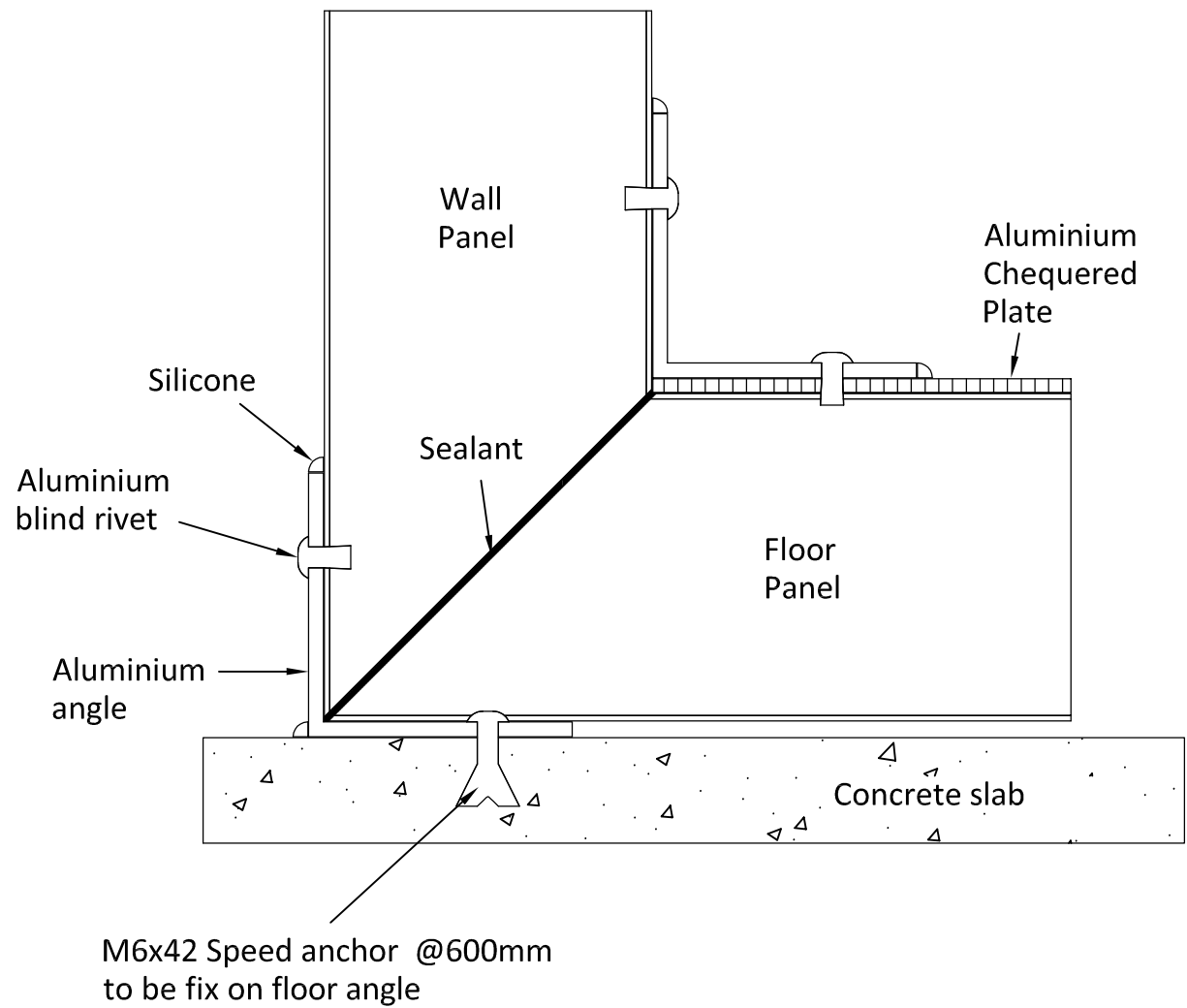
CLIENT:			
NAME	SIGNATURE	DATE	
DRAWN P.C.ANG			
CHK'D P.C.ANG			
APPV'D K.Y.HUANG			

TITLE: Connection Internal Wall & Floor Panel

This design, typical detail and print is the property of CS Panel Sdn. Bhd. and must not be used reproduced or copied, wholly or in part without written permission from company all right reserved.

DWG NO. CS-TD-011	A4
JOB NO: CS/TD/011	
SCALE: NTS	DATE: 19 May 2017
SHEET: 1 of 1	

Connection Wall & Floor Panel



REMARKS :

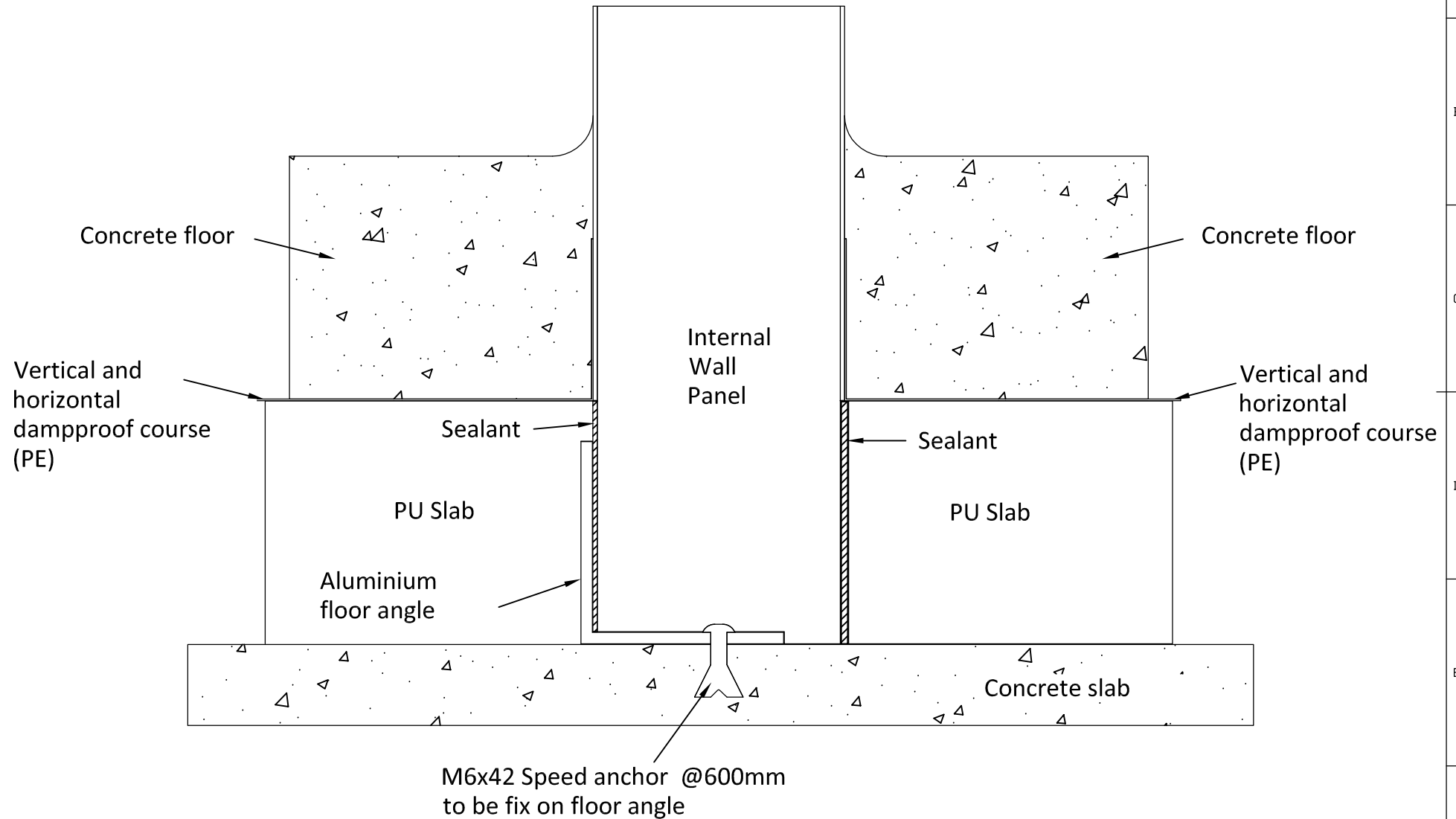
REV	REMARKS

CLIENT:			
NAME	SIGNATURE	DATE	
DRAWN P.C.ANG			
CHK'D P.C.ANG			
APPV'D K.Y.HUANG			

TITLE: Connection Wall & Ceiling Panel-(1)

This design, typical detail and print is the property of CS Panel Sdn. Bhd. and must not be used reproduced or copied, wholly or in part without written permission from company all right reserved.		
DWG NO. CS-TD-010	A4	
JOB NO: CS/TD/010		
SCALE: NTS	DATE: 11 December 2019	SHEET: 1 of 1

Connection Internal Wall & PU Slab



REMARKS :

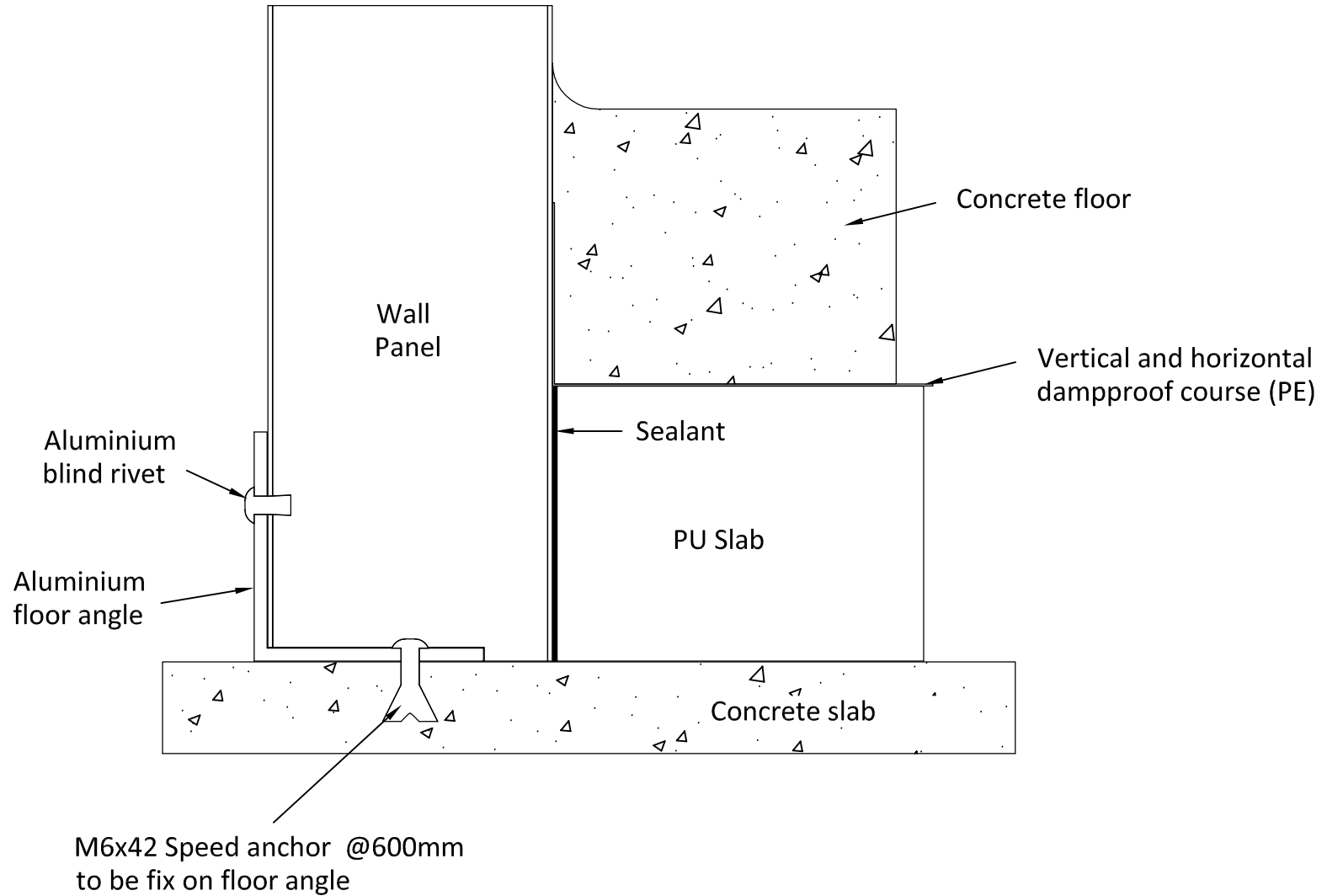
REV	REMARKS

CLIENT:			
NAME	SIGNATURE	DATE	
P.C.ANG			
P.C.ANG			
K.Y.HUANG			

TITLE: Connection Internal Wall & PU Slab

This design, typical detail and print is the property of CS Panel Sdn. Bhd. and must not be used reproduced or copied, wholly or in part without written permission from company all right reserved.		
DWG NO.	CS-TD-009	A4
JOB NO.	CS/TD/009	
SCALE:	NTS	DATE: 2 February 2017
		SHEET: 1 of 1

Connection Wall & PU Slab



REMARKS :

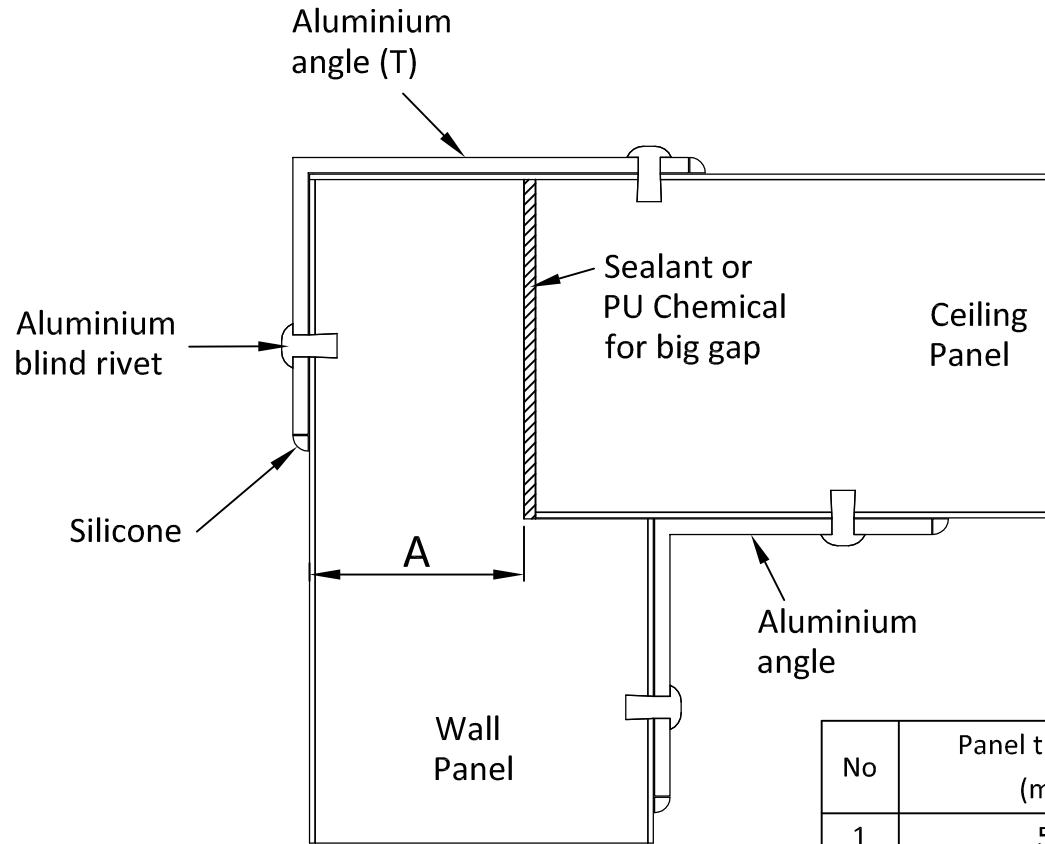
REV	REMARKS

CLIENT:			
NAME	SIGNATURE	DATE	
DRAWN P.C.ANG			
CHK'D P.C.ANG			
APPV'D K.Y.HUANG			

TITLE:	
Connection Wall & PU Slab	

This design, typical detail and print is the property of CS Panel Sdn. Bhd. and must not be used reproduced or copied, wholly or in part without written permission from company all right reserved.					
DWG NO.	CS-TD-008	A4			
JOB NO.	CS/TD/008				
SCALE:	NTS	DATE:	2 February 2017	SHEET:	1 of 1

Connection Wall & Ceiling Panel-(2)



No	Panel thickness (mm)	Cutting thickness A (mm)	Aluminium Angle (T) Application at join (Wall & Ceiling)
1	50	25	1½" x 1½"
2	75	25	1½" x 1½"
3	100	50	1" x 3"
4	125	50	1" x 3"
5	150	50	1" x 3"
6	200	50	1" x 3"



REMARKS :

REV	REMARKS

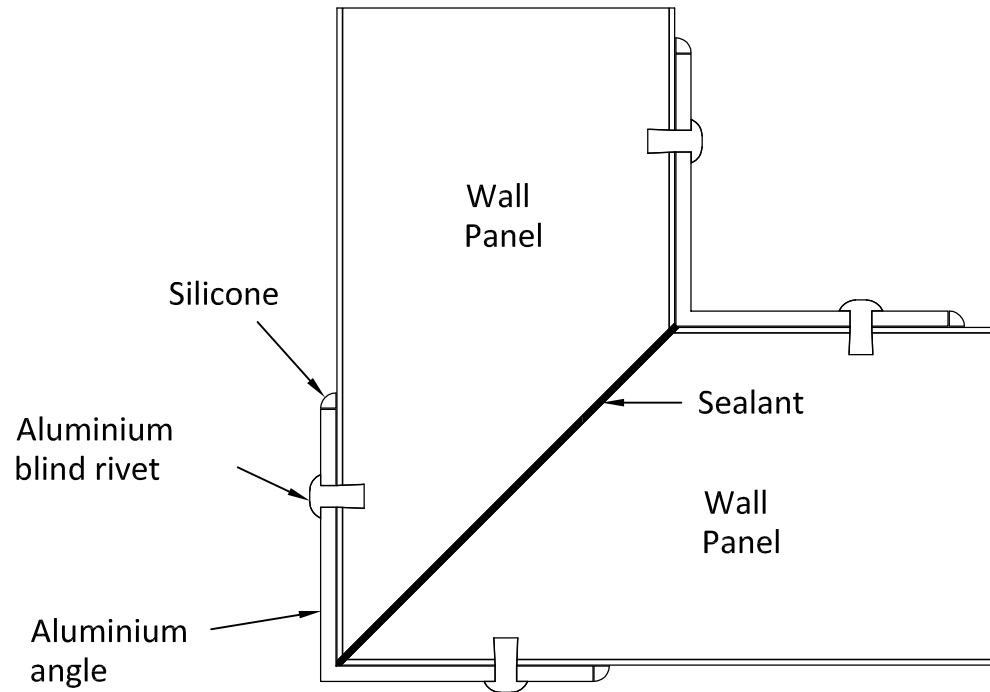
CLIENT:			
NAME	SIGNATURE	DATE	
DRAWN P.C.ANG			
CHK'D P.C.ANG			
APPV'D K.Y.HUANG			

TITLE: Connection Wall & Ceiling Panel-(2)

This design, typical detail and print is the property of CS Panel Sdn. Bhd. and must not be used reproduced or copied, wholly or in part without written permission from company all right reserved.

DWG NO: CS-TD-005	A4
JOB NO: CS/TD/005	
SCALE: NTS	DATE: 6 March 2018
SHEET: 1 of 1	

Connection For Wall Corner



REMARKS :

REV	REMARKS

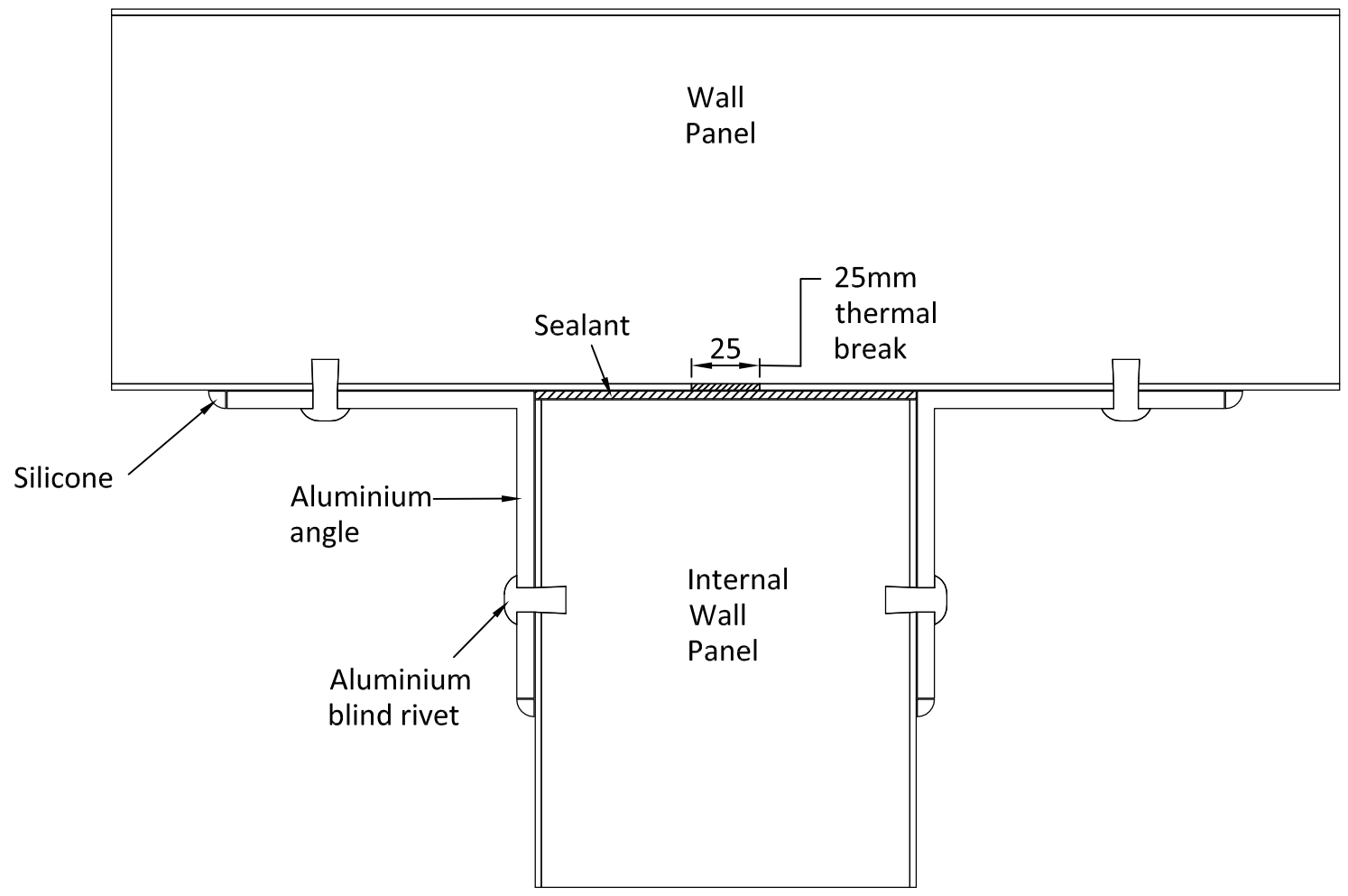
CLIENT:			
NAME	SIGNATURE	DATE	

TITLE:			
Connection For Wall Corner			

This design, typical detail and print is the property of CS Panel Sdn. Bhd. and must not be used reproduced or copied, wholly or in part without written permission from company all right reserved.		
DWG NO.	CS-TD-003	A4
JOB NO:	CS/TD/003	
SCALE: NTS	DATE: 2 February 2017	SHEET: 1 of 1

Y:\Project\CS Panel-Typical Detail\AutoCAD File\CS-TD-013

Connection Internal Wall & Wall Panel



REMARKS :

REV	REMARKS

CLIENT:			
NAME	SIGNATURE	DATE	

TITLE:			
Connection Internal Wall & Wall Panel			
DRAWN	P.C.ANG		
CHK'D	P.C.ANG		
APPV'D	K.Y.HUANG		

This design, typical detail and print is the property of CS Panel Sdn. Bhd. and must not be used reproduced or copied, wholly or in part without written permission from company all right reserved.		
DWG NO.	CS-TD-013	A4
JOB NO.	CS/TD/013	
SCALE:	NTS	DATE: 19 May 2017
		SHEET: 1 of 1